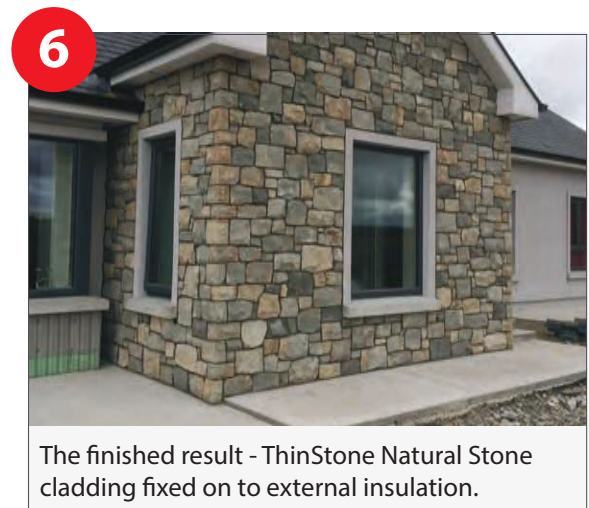
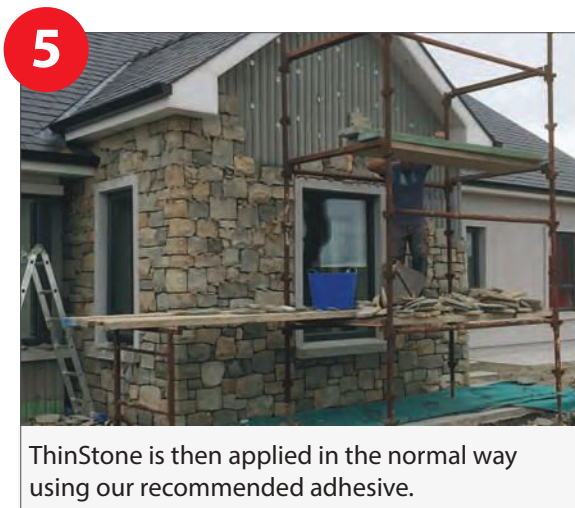
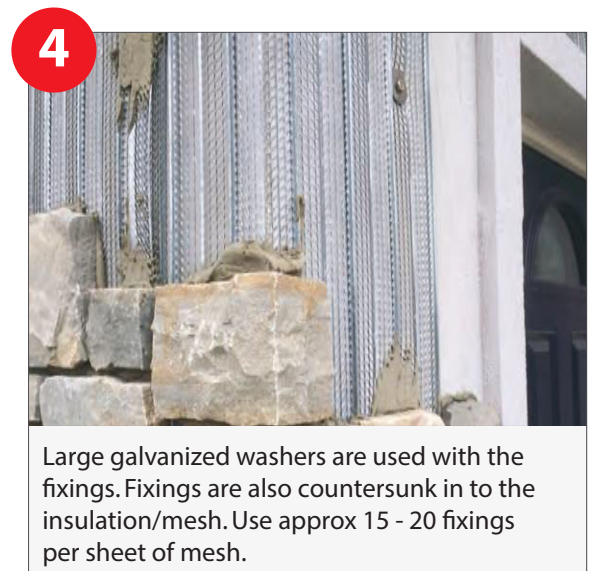
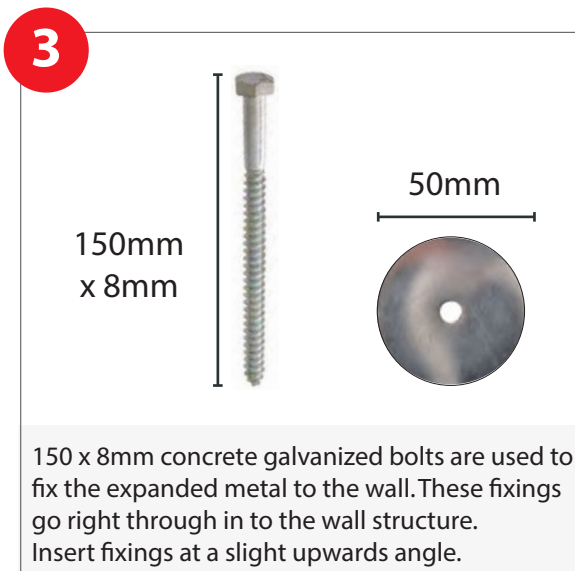




# Fixing Thinstone to External Insulation

Now, with the help of Thinstone, you can combine this modern building technology with traditional stonework for an attractive natural finish in your home.

The fixing method detailed below applies to stones with 25 mm nominal thickness. These are Kilkenny Limestone, Carraig Sandstone and Benbrack Sandstone.



For more information please visit our website at [www.thinstoneireland.ie](http://www.thinstoneireland.ie) or call Declan Conway on 087-131-8881

Disclaimer: The above details are based on our own work experience and projects. Every project is different. It is essential that the above methods and fixing details are reviewed and confirmed by your own relevant engineer/builder/architect.