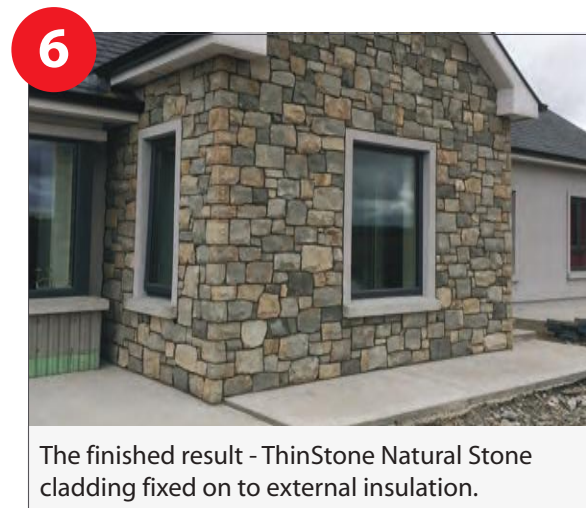
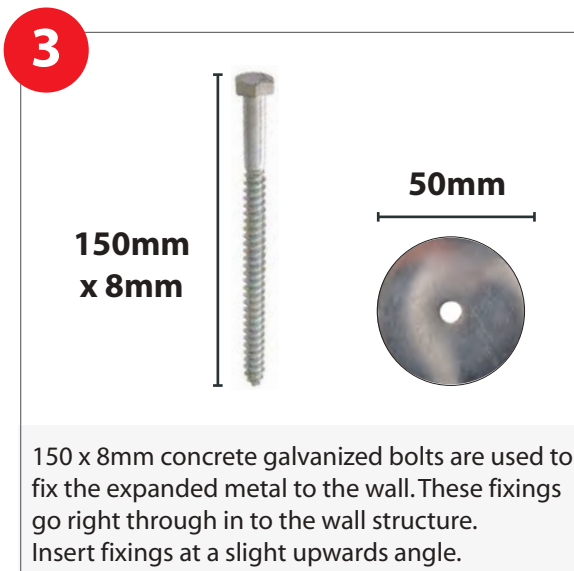




Fixing ThinStone to External Insulation

External Insulation is becoming increasingly popular. Advantages of external insulation include improved thermal comfort and reduced energy consumption.

Now, with the help of ThinStone, you can combine this modern building technology with traditional stonework for an attractive natural finish in your home.



For more information please visit our website at www.thinstoneireland.ie or call **Declan Conway** on **087-131-8881**

Disclaimer: The above details are based on our own work experience and projects. Every project is different. It is essential that the above methods and fixing details are reviewed and confirmed by your own relevant engineer/builder/architect.